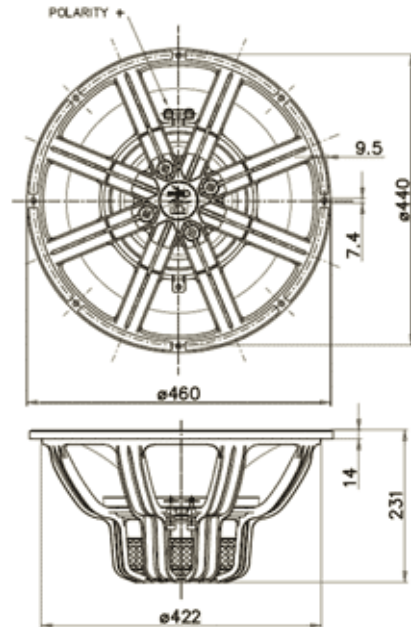




18XL1500 High Performance Series



NOMINAL SPECIFICATIONS

Nominal Diameter	460 mm (18 in)
Overall Diameter	460 mm (18.11 in)
Bolt Circle Diameter	440 mm (17.32 in)
Baffle Cutout Diameter	422 mm (16.61 in)
Depth	231 mm (9.09 in)
Flange and Gasket Thickness	14 mm (0.55 in)
Net Weight	10.5 Kg (23.1 lb)
Shipping Box (Single Carton Box)	536x536x310 mm (21.1x21.1x12.2 in)
Shipping Weight	12 Kg (26.4 lb)

ELECTRICAL SPECIFICATION

Minimum Impedance	7.4 Ohm
Nominal Impedance	8 Ohm
Nominal Power Handling *	1500 W
Maximum Power Handling **	3000 W
Sensitivity (1W/1m)	98 dB
Frequency Range	30÷1500 Hz
Voice Coil Diameter	100 mm (4 in)
Winding Material	Cu
Former Material	Glass Fiber
Winding Depth	31 mm (1.22 in)
Magnetic Gap Depth	15.5 mm (0.61 in)
Flux Density	1.1 T

THIELE & SMALL PARAMETERS

Fs	31 Hz
Re	5.4 Ohm
Bl	28.1 N/A
Mms	236 g
Cms	0.1 mm/N
Rms	6.5 Kg/s
Qes	0.33
Qms	7.40
Qts	0.31
Vas	205 dm ³ (7.24 ft ³)
Sd	1174 cm ² (182 in ²)
Xmax ***	12.9 mm
Xdamage ****	28 mm
Le	1.45 mH
Mmd	213 g
Eta Zero	2 %

ORDERING CODES

Push Terminals - 8 Ohm Version	TBA
Faston Terminals - 8 Ohm Version	TBA

NOTES

PATENT PENDING

[A] demodulation ring for reduced total harmonic distortion

(*) 2 Hours Test According to AES 2-1984 Rev. 2003

(**) Maximum power is defined as 3dB greater than nominal power.

(***) Xmax = [(winding depth - magnetic gap depth) / 2] + (magnetic gap depth / 3)

(****) Maximum excursion before permanent damage

CURVES

